



GasAlertMicro5 Series

Multi-Gas (1-5) Detectors

VOCs, CO₂, LEL, H₂S, CO, O₂, SO₂, PH₃, NH₃, NO₂, HCN, Cl₂, ClO₂, O₃



| | |
|---|----|
| GasAlertMicro 5..... | 50 |
| GasAlertMicro 5 PID..... | 52 |
| GasAlertMicro 5 IR..... | 54 |
| GasAlertMicro 5 Series Accessories, Spares & Replacements | 56 |
| GasAlertMicro 5 Series Service Parts | 60 |

Protect yourself

Compact and lightweight, GasAlertMicro 5 Series instruments are available in diffusion or pumped instruments. The portable gas detectors simultaneously monitors and displays up to five potential atmospheric hazards. The GasAlertMicro 5 PID model also identifies PID detectable VOCs, while the GasAlertMicro 5 IR uses an NDIR sensor to monitor CO₂ levels. Adaptable to a variety of applications, GasAlertMicro 5 Series instruments have an extensive selection of user-settable field options. Use the passcode function to prevent unauthorized modifications of the instrument's settings. Compatible with BW's MicroDock II automatic test and calibration system, GasAlertMicro 5 Series instruments are unparalleled in their versatility, performance and overall value.

Standard Package Contents

- Detector complete with specified sensor(s), stainless steel alligator clip and concussion-proof housing
- Rechargeable battery pack or alkaline pack with three AA batteries
- Cradle charger and wall outlet charging adaptor (with rechargeable battery option)
- Sample probe (with motorized pump option)
- Screwdriver
- Calibration/test adaptor and hose
- Manual
- Multi-language CD manual

General Specifications

| | |
|------------------------------|---|
| Size | 5.7 x 2.9 x 1.5 in. / 14.5 x 7.4 x 3.8 cm |
| Weight | 13.1 oz. / 370 g |
| Operating temperature | -4 to +122°F / -20 to +50°C 14 to +104°F / -10 to +40°C (PID) |
| Typical battery life | 20 hours (15 hours PID/IR)* <i>*Based on a 5-gas instrument in diffusion mode at 68°F / 20°C</i> |

Certifications and approvals



Class I, Div. 1, Gr. A, B, C, D



American Bureau of Shipping
(Toxic and PID models)

ATEX:

CE Ex II 1 G
Ga Ex ia IIC T4^{*}

CE Ex II 2 G (IR model only)
Ex d ia IIC T4^{*}

IECEx:

Ga Ex ia IIC T4^{*}
Ex d ia IIC T4^{*} (IR model only)

**Temperature codes may vary as a function of the batteries installed. Please see owner's manual for a complete listing of compatible batteries and codes.*

Warranty

Full two year warranty including sensors
(one year Cl₂, NH₃, O₃, ClO₂ and PID sensor)



GasAlertMicro 5 Series (continued)

GasAlertMicro 5 Detector

Order Number

| | |
|--|----------------------|
| %LEL, O ₂ , H ₂ S, CO, SO ₂ - rechargeable battery, yellow housing | M5-XWSY-R-D-D-Y-N-00 |
| %LEL, O ₂ , H ₂ S, CO, SO ₂ - rechargeable battery and pump, yellow housing | M5-XWSY-R-P-D-Y-N-00 |
| %LEL, O ₂ , H ₂ S, CO, NH ₃ - rechargeable battery, yellow housing | M5-XWAY-R-D-D-Y-N-00 |
| %LEL, O ₂ , H ₂ S, CO, NH ₃ - rechargeable battery and pump, yellow housing | M5-XWAY-R-P-D-Y-N-00 |
| %LEL, O ₂ , H ₂ S, CO, Cl ₂ - rechargeable battery, yellow housing | M5-XWCY-R-D-D-Y-N-00 |
| %LEL, O ₂ , H ₂ S, CO, Cl ₂ - rechargeable battery and pump, yellow housing | M5-XWCY-R-P-D-Y-N-00 |
| %LEL, O ₂ , H ₂ S, CO - alkaline batteries and pump, yellow housing | M5-XW0Y-A-P-D-Y-N-00 |
| %LEL, O ₂ , H ₂ S, CO - rechargeable battery, yellow housing | M5-XW0Y-R-D-D-Y-N-00 |
| %LEL, O ₂ , H ₂ S, CO - rechargeable battery and pump, yellow housing | M5-XW0Y-R-P-D-Y-N-00 |
| %LEL, O ₂ , H ₂ S, CO, SO ₂ - rechargeable battery, black housing | M5-XWSY-R-D-D-B-N-00 |
| %LEL, O ₂ , H ₂ S, CO, SO ₂ - rechargeable battery and pump, black housing | M5-XWSY-R-P-D-B-N-00 |
| %LEL, O ₂ , H ₂ S, CO, NH ₃ - rechargeable battery, black housing | M5-XWAY-R-D-D-B-N-00 |
| %LEL, O ₂ , H ₂ S, CO, NH ₃ - rechargeable battery and pump, black housing | M5-XWAY-R-P-D-B-N-00 |
| %LEL, O ₂ , H ₂ S, CO, Cl ₂ - rechargeable battery, black housing | M5-XWCY-R-D-D-B-N-00 |
| %LEL, O ₂ , H ₂ S, CO, Cl ₂ - rechargeable battery and pump, black housing | M5-XWCY-R-P-D-B-N-00 |
| %LEL, O ₂ , H ₂ S, CO - alkaline batteries and pump, black housing | M5-XW0Y-A-P-D-B-N-00 |
| %LEL, O ₂ , H ₂ S, CO - rechargeable battery, black housing | M5-XW0Y-R-D-D-B-N-00 |
| %LEL, O ₂ , H ₂ S, CO - rechargeable battery and pump, black housing | M5-XW0Y-R-P-D-B-N-00 |

GasAlertMicro 5 Region Codes

For orders outside North America, change order number component “-N” to:

| | |
|------------------------|--------------------------------------|
| “-E” Europe | “-B” Brazil |
| “-U” United Kingdom | “-X” Other region with 3-pin UK plug |
| “-A” Australia | “-Y” Other region with 2-pin UK plug |
| “-C” China/New Zealand | |

Note: Listed above are commonly ordered instrument configurations. To create a custom GasAlertMicro 5 detector, use the configurator table on the next

Gas Legend

| | | | |
|------------------|----------------------|------------------|----------------------|
| %LEL | Combustible (W) | ClO ₂ | Chlorine dioxide (V) |
| O ₂ | Oxygen (X) | NH ₃ | Ammonia (A) |
| H ₂ S | Hydrogen sulfide (H) | PH ₃ | Phosphine (P) |
| CO | Carbon monoxide (M) | HCN | Hydrogen cyanide (Z) |
| SO ₂ | Sulfur dioxide (S) | NO ₂ | Nitrogen dioxide (D) |
| Cl ₂ | Chlorine (C) | O ₃ | Ozone (G) |



GasAlertMicro 5
Diffusion version



GasAlertMicro 5
Pump version

GasAlertMicro 5 Series (continued)

GasAlertMicro 5 Order Number Configurator

| | | | |
|--|----------------|----------------------|--|
| ► Sensor - Toxic 2 | | ► Battery | |
| None (dummy sensor) | 0 | A | Alkaline |
| CO and H ₂ S (Duo-Tox dual channel) | Y | R | Rechargeable battery pack and cradle charger |
| H ₂ S (hydrogen sulfide) | H | ► Sampling | |
| CO (carbon monoxide) | M | D | Diffusion |
| Cl ₂ (chlorine) | C | P | Motorized sampling pump |
| ClO ₂ (chlorine dioxide) | V | ► Datalogging | |
| PH ₃ (phosphine) | P | D | Datalogging monitor (with Fleet Manager II software) |
| HCN (hydrogen cyanide) | Z | ► Housing | |
| NO ₂ (nitrogen dioxide) | D | Y | Yellow housing |
| O ₃ (ozone) | G | B | Black housing |
| ► Sensor - Toxic 1 | | ► Region | |
| None (dummy sensor) | 0 | N | North America |
| H ₂ S (hydrogen sulfide) | H | E | Europe |
| CO (carbon monoxide) | M | C | China/New Zealand |
| SO ₂ (sulfur dioxide)* | S* | U | United Kingdom |
| Cl ₂ (chlorine) | C | A | Australia |
| ClO ₂ (chlorine dioxide) | V | B | Brazil |
| NH ₃ (ammonia)* | A* | X | Other region with 3-pin UK plug |
| PH ₃ (phosphine) | P | Y | Other region with 2-pin EU plug |
| HCN (hydrogen cyanide) [†] | Z [†] | | |
| NO ₂ (nitrogen dioxide) | D | | |
| O ₃ (ozone) | G | | |
| ► Sensor - Combustible Gases | | | |
| None (dummy sensor) | 0 | | |
| %LEL (combustibles) | W | | |
| ► Sensor - Oxygen | | | |
| None | 0 | | |
| O ₂ (oxygen) | X | | |
| ► Base Unit | | | |
| Base unit | M5 | | |

Order number:

| | | | | | | | | | | | |
|----|--|--|--|--|--|--|---|--|--|--|----|
| M5 | | | | | | | D | | | | 00 |
|----|--|--|--|--|--|--|---|--|--|--|----|

For example, the order number for a GasAlertMicro 5 configured for O₂, %LEL, Cl₂, H₂S and CO and equipped with a rechargeable battery pack and cradle charger, motorized sampling pump, yellow housing and North American power connectivity would be M5-XWCY-R-P-D-Y-N-00.

*Note: Some gases (e.g. SO₂ and NH₃) cannot be combined in the same GasAlertMicro 5 configuration. Please check with Customer Service for specific availability.

[†]Note: HCN can only be ordered in the Toxic 1 location when the Duo-Tox (CO/H₂S) sensor is ordered in the Toxic 2 location. In all other configurations, HCN must be ordered in the Toxic 2 location.



GasAlertMicro 5 Series (continued)

GasAlertMicro 5 PID Detector

Order Number

| | |
|---|-------------------------|
| VOCs, %LEL, O ₂ , H ₂ S, CO - alkaline batteries and pump, yellow housing | M5PID-XWQY-A-P-D-Y-N-00 |
| VOCs, %LEL, O ₂ , H ₂ S, CO - rechargeable battery and pump, yellow housing | M5PID-XWQY-R-P-D-Y-N-00 |
| VOCs, %LEL, O ₂ - alkaline batteries and pump, yellow housing | M5PID-XWQ0-A-P-D-Y-N-00 |
| VOCs, %LEL, O ₂ - rechargeable battery and pump, yellow housing | M5PID-XWQ0-R-P-D-Y-N-00 |
| VOCs - alkaline batteries and pump, yellow housing | M5PID-00Q0-A-P-D-Y-N-00 |
| VOCs - rechargeable battery and pump, yellow housing | M5PID-00Q0-R-P-D-Y-N-00 |
| VOCs, %LEL, O ₂ , H ₂ S, CO - alkaline batteries and pump, black housing | M5PID-XWQY-A-P-D-B-N-00 |
| VOCs, %LEL, O ₂ , H ₂ S, CO - rechargeable battery and pump, black housing | M5PID-XWQY-R-P-D-B-N-00 |
| VOCs, %LEL, O ₂ - alkaline batteries and pump, black housing | M5PID-XWQ0-A-P-D-B-N-00 |
| VOCs, %LEL, O ₂ - rechargeable battery and pump, black housing | M5PID-XWQ0-R-P-D-B-N-00 |
| VOCs - alkaline batteries and pump, black housing | M5PID-00Q0-A-P-D-B-N-00 |
| VOCs - rechargeable battery and pump, black housing | M5PID-00Q0-R-P-D-B-N-00 |

GasAlertMicro 5 PID Region Codes

For orders outside North America, change order number component “-N” to:

| | |
|------------------------|--------------------------------------|
| “-E” Europe | “-B” Brazil |
| “-U” United Kingdom | “-X” Other region with 3-pin UK plug |
| “-A” Australia | “-Y” Other region with 2-pin UK plug |
| “-C” China/New Zealand | |

Note: Listed above are commonly ordered instrument configurations. To create a custom GasAlertMicro 5 PID detector, use the configurator table on the next

Gas Legend

| | | | |
|------------------|--------------------------------|------------------|----------------------|
| %LEL | Combustible (W) | ClO ₂ | Chlorine dioxide (V) |
| O ₂ | Oxygen (X) | NH ₃ | Ammonia (A) |
| H ₂ S | Hydrogen sulfide (H) | PH ₃ | Phosphine (P) |
| CO | Carbon monoxide (M) | HCN | Hydrogen cyanide (Z) |
| SO ₂ | Sulfur dioxide (S) | NO ₂ | Nitrogen dioxide (D) |
| Cl ₂ | Chlorine (C) | O ₃ | Ozone (G) |
| VOCs | Volatile organic compounds (Q) | | |



GasAlertMicro 5 PID
Diffusion version

GasAlertMicro 5 PID
Pump version

GasAlertMicro 5 Series (continued)

GasAlertMicro 5 PID Order Number Configurator

| | | | |
|--|--|--|--|
| ► Sensor - Toxic 2 None (dummy sensor) 0 CO and H ₂ S (Duo-Tox dual channel) Y H ₂ S (hydrogen sulfide) H CO (carbon monoxide) M SO ₂ (sulfur dioxide) S Cl ₂ (chlorine) C ClO ₂ (chlorine dioxide) V NH ₃ (ammonia) A PH ₃ (phosphine) P HCN (hydrogen cyanide) Z NO ₂ (nitrogen dioxide) D O ₃ (ozone) G | | ► Battery A Alkaline R Rechargeable battery pack and cradle charger | |
| ► Sensor - Toxic 1 None (dummy sensor) 0 PID (photoionization detector) for VOCs (volatile organic compounds) Q | | ► Sampling D Diffusion P Motorized sampling pump | |
| ► Sensor - Combustible Gases None (dummy sensor) 0 %LEL (combustibles) W | | ► Datalogging D Datalogging monitor (with Fleet Manager II software) | |
| ► Sensor - Oxygen None 0 O ₂ (oxygen) X | | ► Housing Y Yellow housing B Black housing | |
| ► Base Unit Base unit M5PID | | ► Region N North America E Europe C China/New Zealand U United Kingdom A Australia B Brazil X Other region with 3-pin UK plug Y Other region with 2-pin EU plug | |

Order number:

For example, the order number for a GasAlertMicro 5 PID configured for O₂, %LEL, VOCs, H₂S and CO and equipped with a rechargeable battery pack and cradle charger, motorized sampling pump, yellow housing and North American power connectivity would be M5PID-XWQY-R-P-D-Y-N-00.

*Note: Some gases cannot be combined in the same GasAlertMicro 5 configuration. Please check with Customer Service for specific availability.



GasAlertMicro 5 Series (continued)

GasAlertMicro 5 IR Detector

Order Number

| | |
|---|--------------------------|
| CO ₂ (IR), %LEL, O ₂ , H ₂ S, CO - rechargeable battery, yellow housing | M5IR-XWBY-R-D-D-Y-N-00 |
| CO ₂ (IR), %LEL, O ₂ , H ₂ S, CO - rechargeable battery and pump, yellow housing | M5IR-XWBY-R-P-D-D-Y-N-00 |
| CO ₂ (IR), %LEL, O ₂ , H ₂ S - rechargeable battery, yellow housing | M5IR-XWBH-R-D-D-Y-N-00 |
| CO ₂ (IR), %LEL, O ₂ , H ₂ S - rechargeable battery and pump, yellow housing | M5IR-XWBH-R-P-D-D-Y-N-00 |
| CO ₂ (IR), %LEL, O ₂ - rechargeable battery, yellow housing | M5IR-XWB0-R-D-D-Y-N-00 |
| CO ₂ (IR), %LEL, O ₂ - rechargeable battery and pump, yellow housing | M5IR-XWB0-R-P-D-D-Y-N-00 |
| CO ₂ (IR) - rechargeable battery, yellow housing | M5IR-00B0-R-D-D-Y-N-00 |
| CO ₂ (IR) - rechargeable battery and pump, yellow housing | M5IR-00B0-R-P-D-D-Y-N-00 |
| CO ₂ (IR), %LEL, O ₂ , H ₂ S, CO - rechargeable battery, black housing | M5IR-XWBY-R-D-D-B-N-00 |
| CO ₂ (IR), %LEL, O ₂ , H ₂ S, CO - rechargeable battery and pump, black housing | M5IR-XWBY-R-P-D-D-B-N-00 |
| CO ₂ (IR), %LEL, O ₂ , H ₂ S - rechargeable battery, black housing | M5IR-XWBH-R-D-D-B-N-00 |
| CO ₂ (IR), %LEL, O ₂ , H ₂ S - rechargeable battery and pump, black housing | M5IR-XWBH-R-P-D-D-B-N-00 |
| CO ₂ (IR), %LEL, O ₂ - rechargeable battery, black housing | M5IR-XWB0-R-D-D-B-N-00 |
| CO ₂ (IR), %LEL, O ₂ - rechargeable battery and pump, black housing | M5IR-XWB0-R-P-D-D-B-N-00 |
| CO ₂ (IR) - rechargeable battery, black housing | M5IR-00B0-R-D-D-B-N-00 |
| CO ₂ (IR) - rechargeable battery and pump, black housing | M5IR-00B0-R-P-D-D-B-N-00 |

GasAlertMicro 5 IR Region Codes

For orders outside North America, change order number component “-N” to:

| | |
|------------------------|--------------------------------------|
| “-E” Europe | “-B” Brazil |
| “-U” United Kingdom | “-X” Other region with 3-pin UK plug |
| “-A” Australia | “-Y” Other region with 2-pin UK plug |
| “-C” China/New Zealand | |

Note: Listed above are commonly ordered instrument configurations. To create a custom GasAlertMicro 5 IR detector, use the configurator table on the next

Gas Legend

| | |
|---------------------------------------|------------------------------------|
| CO ₂ Carbon dioxide (B) | CO Carbon monoxide (M) |
| %LEL Combustible (W) | SO ₂ Sulfur dioxide (S) |
| O ₂ Oxygen (X) | NH ₃ Ammonia (A) |
| H ₂ S Hydrogen sulfide (H) | O ₃ Ozone (G) |



GasAlertMicro 5 IR
Diffusion version



GasAlertMicro 5 IR
Pump version

GasAlertMicro 5 Series (continued)

GasAlertMicro 5 IR Order Number Configurator

| | | | |
|--|------|----------------------|--|
| ► Sensor - Toxic 2 | | ► Battery | |
| None (dummy sensor) | 0 | A | Alkaline |
| CO and H ₂ S (Duo-Tox dual channel) | Y | R | Rechargeable battery pack and cradle charger |
| H ₂ S (hydrogen sulfide) | H | ► Sampling | |
| CO (carbon monoxide) | M | D | Diffusion |
| SO ₂ (sulfur dioxide) | S | P | Motorized sampling pump |
| NH ₃ (ammonia) | A | ► Datalogging | |
| O ₃ (ozone) | G | D | Datalogging monitor (with Fleet Manager II software) |
| ► Sensor - Toxic 1 | | ► Housing | |
| None (dummy sensor) | 0 | Y | Yellow housing |
| IR (infrared) for CO ₂ (carbon dioxide) | B | B | Black housing |
| ► Sensor - Combustible Gases | | ► Region | |
| None (dummy sensor) | 0 | N | North America |
| %LEL (combustibles) | W | E | Europe |
| ► Sensor - Oxygen | | C | China/New Zealand |
| None | 0 | U | United Kingdom |
| O ₂ (oxygen) | X | A | Australia |
| ► Base Unit | | B | Brazil |
| Base unit | M5IR | X | Other region with 3-pin UK plug |
| | | Y | Other region with 2-pin EU plug |

| | | | | | | | | | | | | |
|---------------|------|--|--|--|--|--|--|---|--|--|--|----|
| Order number: | M5IR | | | | | | | D | | | | 00 |
|---------------|------|--|--|--|--|--|--|---|--|--|--|----|

For example, the order number for a GasAlertMicro 5 IR configured for O₂, %LEL, CO₂, H₂S and CO and equipped with a rechargeable battery pack and cradle charger, motorized sampling pump, yellow housing and North American power connectivity would be M5IR-XWBY-R-P-D-Y-N-00.

*Note: Some gases cannot be combined in the same GasAlertMicro 5 configuration. Please check with Customer Service for specific availability.



GasAlertMicro 5 Series (continued)

Confined Space Kits

GasAlertMicro 5 Series deluxe confined space kit - includes manual aspirator kit, sampling probe with holster, five spare auxiliary filters and three spare quick connect fittings, 10 ft. / 3 m sampling hose, carrying holster, calibration cap and 1.0 LPM regulator
Detector, calibration gas and motorized sampling pump sold separately.

Order Number

M5-CK-DL

Carrying case for GasAlertMicro 5 Series with foam and lid insert

M5-CK-CC

Carrying & Protective Accessories

Concussion-proof boot, diffusion units

GA-BM5-1

Concussion-proof boot, pump units

GA-BM5-2

Carrying holster

GA-HM5

Neck strap with safety release

GA-NS-1

Short strap (6 in. / 15.2 cm)

GA-LY-1

Extension strap (4 ft. / 1.2 m)

GA-ES-1

Chest harness

GA-CH-2



Concussion-Proof Boot

GA-BM5-2

For GasAlertMicro 5 Series
pumped units



Concussion-Proof Boot

GA-BM5-1

For GasAlertMicro 5 Series
diffusion units

Deluxe Confined Space Kit

M5-CK-DL



Carrying Holster

GA-HM5

Fits securely on belt

GasAlertMicro 5 Series (continued)

| Sampling & Testing Equipment | Order Number |
|--|--------------------------|
| Integral motorized pump kit - Yellow - Black <i>Includes motorized pump cover, 1 ft. / 30 cm sample probe with hydrophobic barrier (water trap) and particulate filters, 5 ft. / 1.5 m sampling hose and two spare pump filters</i> | M5-PUMP M5-PUMPB |
| Auxiliary pump filter compatible with hose | M5-QCONN-K1 |
| Auxiliary pump filter for use with Generation 2 pump modules (with filter window) - Kit of 5 - Kit of 100 | M5-AF-K3 M5-AF-K3-100 |
| Auxiliary pump filter for use with legacy Generation 1 pump modules (without filter window) - Kit of 5 - Kit of 100 | M5-AF-K2 M5-AF-K2-100 |
| Replacement pump, yellow | M5-PR-1 |
| Replacement pump, black | M5-PRB-1 |
| Replacement pump nozzle (for use with new Generation 2 pump modules) | M5-PN-1 |
| Replacement diffusion cover, yellow | M5-DC-1 |
| Replacement diffusion cover, black | M5-DCB-1 |
| Replacement ammonia (NH ₃) sensor* | SR-A04 |
| Manual aspirator pump kit with probe (1 ft. / 0.3 m) | GA-AS02 |
| Test cap and hose (1.5 ft. / 0.5 m) replacement | M5-TC-1 |

Note: For complete list of Sampling & Testing Equipment, see the Sampling Equipment section.



Replacement Test Cap and Hose
M5-TC-1



Auxiliary Pump Filter with Hose Connector
M5-QCONN-K1



Auxiliary Pump Filter
M5-AF-K3 / M5-AF-K3-100
Kit of 5 or 100, for Generation 2 pump modules



Pump Module
M5-PUMP



Auxiliary Pump Filter
M5-AF-K2 / M5-AF-K2-100
Kit of 5 or 100, for legacy Generation 1 pump modules only



Replacement Diffusion Cover
M5-DC-1



Manual Aspirator Pump
GA-AS02
For remote sampling; complete with probe, hose and aspirator pump

GasAlertMicro 5 Series (continued)

| Power Accessories | Order Number |
|---|---------------|
| Alkaline battery pack, yellow* | M5-BAT0501 |
| Alkaline battery pack, black* | M5-BAT0501B |
| Alkaline battery pack, European-style safety screws, yellow* | M5-BAT0502 |
| Rechargeable battery pack, yellow* | M5-BAT08 |
| Rechargeable battery pack, black* | M5-BAT08B |
| Cradle charger and rechargeable battery pack, yellow* | M5-C01-BAT08 |
| Cradle charger and rechargeable battery pack, black* | M5-C01-BAT08B |
| Cradle charger for rechargeable battery packs | M5-C01 |
| 12 Vdc vehicle adaptor cable for use with cradle charger (M5-C01) | GA-V-CHRG4 |
| Replacement power supply for chargers | POWER-UPS-01 |

*Note: Battery packs and chargers should be used with the new version GasAlertMicro 5 Series gas detectors (red circuit boards).

| Datalogging Accessories | Order Number |
|-------------------------|--------------|
| Multimedia card | M5-MMC |
| USB memory card reader | CR-MMC-USB1 |

| MicroDock II | Order Number |
|---|-------------------|
| MicroDock II Automated Calibration and Testing Station: | |
| - Base station and GasAlertMicro 5 Series docking module (charging) with charging cable | DOCK2-2-1C1K-00-G |
| - Base station and GasAlertMicro 5 Series docking module (non-charging) | DOCK2-2-1J-00-G |
| - GasAlertMicro 5 Series docking module (charging), no charging cable | DOCK2-0-1K-00-G |
| - GasAlertMicro 5 Series docking module (non-charging) | DOCK2-0-1J-00-G |

For complete MicroDock II system configuration information, see MicroDock II section.



Alkaline Battery Pack
M5-BAT0501/M5-BAT0501B
M5-BAT0502/M5-BAT0502B



Cradle Charger Kit with Battery
M5-C01-BAT08 / M5-C01-BAT08B
Complete with charger and rechargeable battery pack



Rechargeable Battery Pack
M5-BAT08/M5-BAT08B



Cradle Charger
M5-C01
*Cradle charger for rechargeable battery packs
(can charge battery pack with or without detector attached)*



Vehicle Adaptor
12 Vdc
GA-V-CHRG4
*Vehicle adaptor cable for use
with cradle charger (M5-C01)*

GasAlertMicro 5 Series (continued)

| Replacement Sensor Screens | Order Number |
|---------------------------------------|--------------|
| Quad sensor screen filters (kit of 2) | M5-SS |

| Replacement Sensors | Order Number |
|---|--------------|
| Replacement carbon dioxide (CO ₂) IR sensor | SR-B04 |
| Replacement carbon monoxide (CO) sensor | SR-M04-SC |
| Replacement carbon monoxide (CO-H) sensor, H ₂ resistant | PS-RM04H |
| Replacement chlorine (Cl ₂) sensor* | PS-RC10 |
| Replacement chlorine dioxide (ClO ₂) sensor* | SR-V04 |
| Replacement combustible (% LEL) sensor with heavy duty silicone filter† | SR-W04 |
| Replacement combustible (% LEL) sensor without heavy duty silicone filter† | SR-W04-UF |
| Replacement Duo-Tox sensor - carbon monoxide (CO) and hydrogen sulfide (H ₂ S) | D4-RHM04 |
| Replacement hydrogen cyanide (HCN) sensor | PS-RZ10 |
| Replacement hydrogen sulfide (H ₂ S) sensor | PS-RH04S |
| Replacement nitrogen dioxide (NO ₂) sensor | PS-RD04 |
| Replacement oxygen (O ₂) sensor | SR-X10-C1 |
| Replacement ozone (O ₃) sensor* | SR-G04 |
| Replacement phosphine (PH ₃) sensor | SR-P04 |
| Replacement sulfur dioxide (SO ₂) sensor | PS-RS04 |
| Replacement volatile organic compounds (VOC) PID sensor, 10.6 eV* | SR-Q07 |
| Replacement PID lamp, (10.6 eV) for PID sensor (SR-Q07)* | RL-PID10.6 |
| Replacement electrode stacks for PID sensor (SR-Q07) (kit of 2) | M5PID-ES-1 |
| Cleaning kit for PID sensor | M5PID-CLN-K1 |
| Dummy sensor for 3-pin O ₂ or 3-pin Duo-Tox locations | SR-DUMM1 |
| Dummy sensor for combustible (LEL) location | SR-DUMM2 |
| Dummy sensor for PID location | SR-DUMM3 |

Note: All sensors come with a 2 year warranty unless marked with an asterisk (*), denoting 1 year warranty.

†Advisory: Detectors are equipped on a standard basis with SR-W04 combustible sensors. This sensor includes a heavy duty silicone filter that make it ideal for use in environments that have known sources of silicone or vapors containing silicon. The SR-W04 silicone filter equipped sensor should not be used when monitoring diesel, kerosene, jet fuel or other heavy hydrocarbon vapors with flashpoint temperatures above 38°C (100°F).

Calibration & Testing Equipment

For calibration and testing equipment for this product, please see pages 86-89.

PID Cleaning Kit

M5PID-CLN-K1
For PID sensors



**Replacement
10.6 eV PID Lamp**
RL-PID10.6
For PID sensors



**Replacement
Electrode Stack**
M5PID-ES-1
For PID sensors

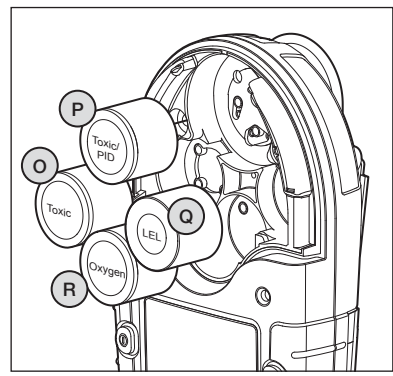
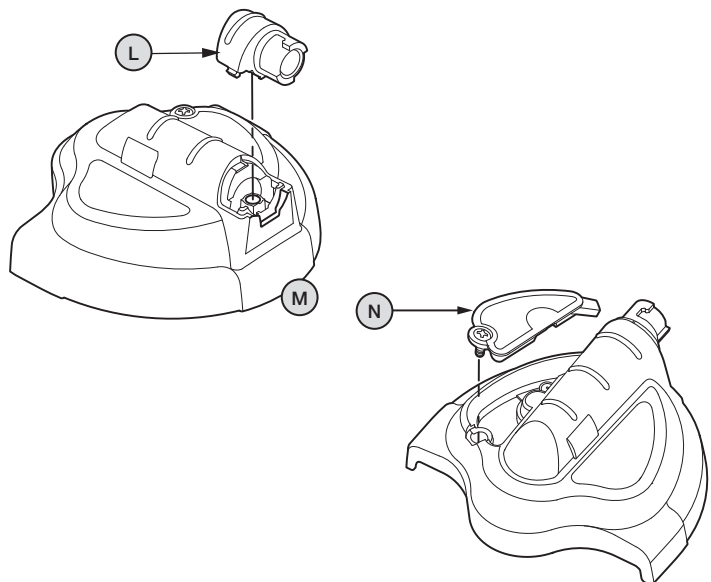
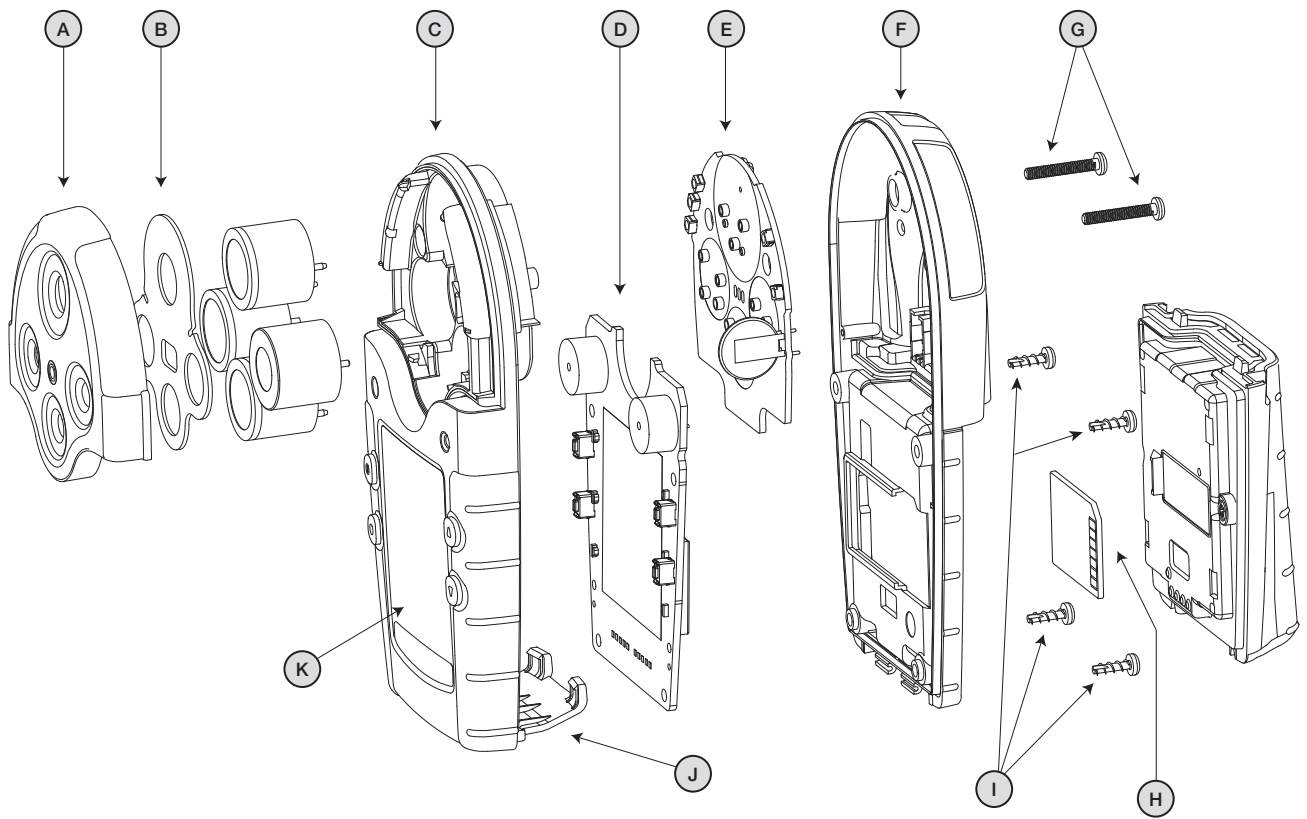


Replacement PID Sensor
SR-Q07



Replacement IR Sensor
SR-B04

GasAlertMicro 5 Series (continued)



GasAlertMicro 5 Series (continued)

| Legend | Service Parts | Order Number |
|--------|---|--------------|
| C | Replacement front enclosure (yellow) for GasAlertMicro 5 Series | M5-FC1 |
| | Replacement front enclosure (black) for GasAlertMicro 5 Series | M5-FC1B |
| F | Replacement back enclosure (yellow) with screws for GasAlertMicro 5 Series | M5-BC1 |
| | Replacement back enclosure (black) with screws for GasAlertMicro 5 Series | M5-BC1B |
| A | Replacement diffusion cover (yellow) for GasAlertMicro 5 Series | M5-DC-1 |
| | Replacement diffusion cover (black) for GasAlertMicro 5 Series | M5-DCB-1 |
| | Replacement alligator-style clip with screw (stainless steel) | GA-AG-2 |
| | Replacement battery latch | M5-BL-1 |
| D | Replacement main PCB for GasAlertMicro 5 Series | M5-DL2-MPCB3 |
| E | Replacement sensor PCB for GasAlertMicro 5 | M5-SPCB3 |
| | Replacement sensor PCB for GasAlertMicro 5 PID | M5PID-SPCB3 |
| | Replacement sensor PCB for GasAlertMicro 5 IR | M5IR-SPCB1 |
| L | Replacement nozzle for generation 2 GasAlertMicro 5 Series pump module (with filter window) | M5-PN-1 |
| | Hose assembly with syringe filter | M5-QCONN-K1 |
| J | Replacement battery latch for GasAlertMicro 5 Series | M5-BL-1 |
| H | Replacement multimedia card for GasAlertMicro 5 Series | M5-MMC |
| I | Replacement screw kit for GasAlertMicro 5 Series | M5-SCREW-K1 |
| | Replacement screwdriver and alkaline battery pack screws for GasAlertMicro 5 Series | M5-ALLEN |

How to Replace a Sensor

1. With detector OFF, use No. 1 Phillips screwdriver to remove 2 screws (G) from back enclosure (F) on either side of the belt clip
2. Lift diffusion cover (A) or pump module straight up
3. Remove sensor (O-R) by pulling straight up from PCB (E)
4. Insert new sensor (O-R) into PCB (E)
5. Replace diffusion cover (A) or pump module
6. Replace 2 screws (G) in back enclosure (F) and hand-tighten until firm

How to Replace the Sensor Screen

1. With detector OFF, use No. 1 Phillips screwdriver to remove 2 screws (G) from back enclosure (F) on either side of the belt clip
2. Lift diffusion cover (A) or pump module straight up
3. Remove sensor screen (B) by pulling it straight up from diffusion cover (A) or pump module
4. Insert sensor screen (B) into diffusion cover (A) or pump module
5. Replace diffusion cover (A) or pump module
6. Replace 2 screws (G) in back enclosure (F) and hand-tighten until firm